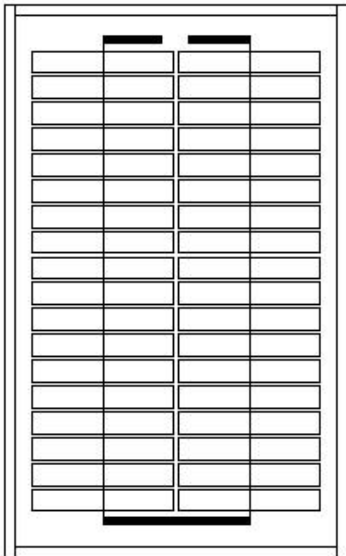


ACSP-A1-5 Panels Specifications



Laminate: Glass /EVA / TPT (tedlar/pet/tedlar) or TPE

Front Side: High-transmission 3.2mm tempered glass

Back Side: TPT /TPE

Frame: Clear anodized aluminum frame

Output : Junction box

Module Type	Pm(Wp)±10%	Vmpp(V)	Imp(A)	Voc(V)	Isc(A)	Module size(mm)	NET(kg)
ACSP-A1-5	5	17.3	0.29	21.6	0.32	300*190*18(mm) 11.8*7.5*0.71(inch)	0.7

Operation Temperature Range: - 40°C ~ 85°C

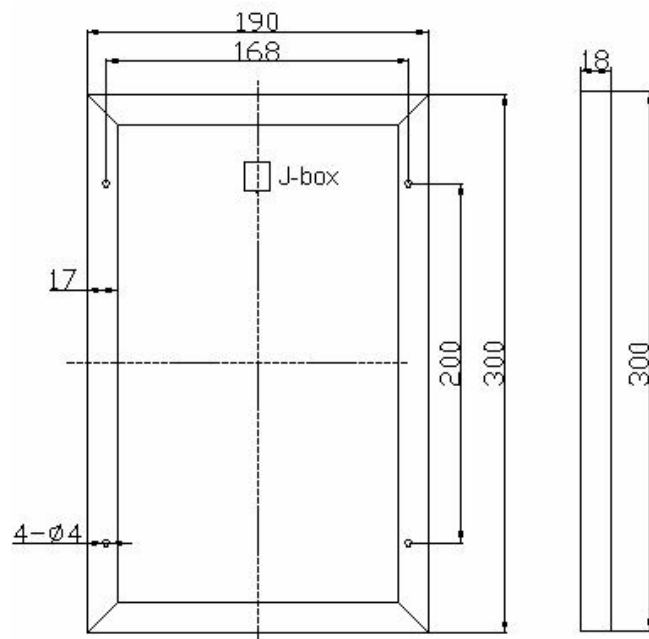
NOCT: 48°C ± 3°C

Temperature coefficients of Im: + 0.1 %/°C

Temperature coefficients of Vm: - 0.38 %/°C

Maximum System Voltage: DC715V

STC: 1000W/m², 25°C, AM1.5



ACEON SOLAR UK

Aceon Solar (Aceon Group Ltd)

Unit 5, Vulcan House Industrial Estate, Vulcan Road, Solihull, B91 2JY

Tel: +44 (0)121 705 9354 Email: info@aceongroup.com www.aceonsolar.com

ACEON SOLAR AFRICA

Aceon Solar East Africa (Kenya)

Wakulima (K.P.C.U) Bldg, 7th Floor

Haile Selassie Avenue, P.O. Box 56777-00200, Nairobi Kenya

Tel: +254 (0)20 355 9151 Email: eastafrika@aceongroup.com www.aceonsolar.com